

ESTIMATE - FACE - SHEET

Name Of Office : EXECUTIVE ENGINEER (ELECTRICAL) P.W.D., PUNE
Estimate No : 211050 (R) of 2011-12
Major Head : 000 DEPOSIT CONTRIBUTION
Sub Major head :

Minor Head :

Detailed Head :

Estimate framed in the office of EXECUTIVE ENGINEER (ELECTRICAL) P.W.D., PUNE

For the probable expenses that will be incurred in the work :

Providing additional wiring for computer in the office of sub-register in the private building (on rental basis under sarita-3 programme At. Pune

For the Year :2011--2012

Grand Total : 44464.00

Admin Approved Date :

Admin Approved No :

Tech. Sanction Date :

Tech. Sanction No :

Prepared By : shri. J.A. Thorat. Deputy Engineer,Electrical sub.Div.No-1,Pune-1

Checked By : Shri. S.P.Pardeshi. Executive Engineer,Pune Electrical Division,Pune

Call or Authority : USER DEPARTMENT

Ref. L.No. & Date :

General Description

This estimate is framed to meet the probable cost of providing computer point in PVC casing n capping in modular switches, MCB DB, SP MCB, copper mains in2x4, 2x2.5 & 1x2.5 earthwire, cat 6 wire, PVC conduit, earthing etc complete.

Note : The abstract should be signed at the end by the Sub-Divisional Officer & Executive Engineer and if necessary by the Superintending Engineer and the Chief Engineer. The Signature should be dated (including year)

3

Work Abstract

Estimate No : 211050 (R) of 2011-12

Name of Work : Providing additional wiring for computer in the office of sub-register in the private building (on rental basis) under sarita-3 programme At. Pune

Sr No	Quantity	Item Description	Rate	Unit	Amount
1	21.00	Supplying and erecting modular type switch 6A / 10A ISI mark approved make duly erected on provided plate and box with wiring connections complete.:---1-8-1	96.00	Each	2016.00
2	21.00	Supplying and erecting modular type 3 pin 6A socket ISI mark approved make duly erected on provided plate and box with wiring connections complete.:---1-8-13	113.00	Each	2373.00
3	3.00	Supplying and erecting modular type switch 16 / 20 A with indicator, ISI mark, approved make duly erected on provided plate and box with wiring connections complete.1-8-10:---1-8-6	113.00	Each	339.00
4	3.00	Supplying and erecting modular type 3 pin 6 / 16A combined unit ISI mark approved make duly erected on provided plate and box with wiring connections complete.1-8-15:---1-8-15	216.00	Each	648.00
5	12.00	Supplying and erecting PVC Surface modular switch box with double mounting plate for 6 module duly erected in an approved manner.1-8-31:---1-8-35	220.00	Each	2640.00
6	80.00	Supplying & erecting mains with 2x2.5 sq.mm F.R stranded/solid copper PVC insulated wire laid in provided conduit/trunking/inside pole/Bus bars or any other places. as per specification No: WG-MA/BW:---1-3-3	49.00	m	3920.00
7	45.00	Supplying & erecting mains with 2x4 sq.mm F.R stranded/solid copper PVC insulated wire laid in provided conduit/trunking/inside pole/Bus bars or any other places as per specification No: WG-MA/BW:---1-3-5	70.00	m	3150.00
8	110.00	Supplying & erecting mains with 1x2.5 sq.mm earthwire F.R stranded/solid copper PVC insulated wire laid in provided conduit/trunking/inside pole/Bus bars or any other places. as per specification No: WG-MA/BW:---1-3-3	24.50	m	2695.00
9	80.00	Supplying and laying PVC trunking (PVC casing-n-capping) of size 20 mm. with accessories on wall/ceiling as per specification No: WG-MA/CON, para no. 1.1.2:---1-2-10	33.00	m	2640.00
10	30.00	Supplying and laying rigid PVC conduit 20 mm dia. with PVC accessories on wall/ceiling as per specification No: WG-MA/CON, para no. 1.1.1:---1-2-7	46.00	m	1380.00
11	6.00	Supplying and laying P.V.C. corrugated flexible conduit 20 mm in dia. conforming to I.S. and approved make with required number of couplings, PVC bushes, check nuts etc. complete.:---1-2-2	18.00	m	108.00
12	2.00	Supplying, erecting & marking DPMCB 6A to 32A, C- series (for motor/power) in provided distribution board as per specification No. SW-SWR/MCB:---5-3-6	549.00	Each	1098.00
13	2.00	Supplying & erecting CRCA sheet metal one way enclosures suitable for D.P.M.C.B. /T.P. M.C.B. /F.P M.C.B. complete erected on angle iron frame.:---5-4-23	362.00	Each	724.00
14	1.00	Supplying and erecting single pole and neutral distribution board (SPNDB) with door surface/flush mounted with 2 ways for incoming and 4 ways for outgoing SP MCB's on iron frame/laminated board as per specification No. SW-SWR/MCDB:---5-4-17	1082.00	Each	1082.00
15	2.00	Supplying, erecting & marking SPMCB 6A to 32A, B- series (for lighting) in provided distribution board as per specification No. SW-SWR/MCB:---5-3-3	164.00	Each	328.00

Work Abstract

Estimate No : 211050 (R) of 2011-12

Name of Work : Providing additional wiring for computer in the office of sub-register in the private building (on rental basis) under sarita-3 programme At. Pune

Sr No	Quantity	Item Description	Rate	Unit	Amount
16	2.00	Supplying, erecting & marking SPMCB 6A to 32A, C-series (for motor/power) in provided distribution board as per specification No. SW-SWR/MCB:---5-3-2	175.00	Each	350.00
17	1.00	Supplying, fixing and commissioning RCCB+MCB, electro magnetic type 6 kA. breaking capacity of 32A/40A 2 Pole 1 phase as per specification No. SW-RCCB/RCCB:---5-6-10	3264.00	Each	3264.00
18	2.00	Supplying and erecting G.I. earth wire 14 to 6 SWG complete erected on wall with necessary clamps in an approved manner for earthing or any other purposes with copper lugs cable sockets of 30A & more at each end with necessary cadmium plated double nut & bolts with washers & covering it with bituminous compound.:---9-2-5	90.00	kg	180.00
19	2.00	Supplying and erecting Galvanised cast iron earth plate size 60 x 60 x 0.6 cm complete with all materials, testing & recording the results as per specification No. EA-EP:---9-1-1	1955.00	Each	3910.00
20	90.00	Supplying & installing UTP networking Cat-6 cable suitable for LAN / WAN Computer net-working as per specification No. WG-COC/NC:---1-12-1	34.00	m	3060.00
21	7.00	Supplying and fixing Tool-less Information Outlet (Ethernet) flush/surface type in position as per specification no. WG-NAS/IO:---1-14-2	526.00	Each	3682.00

Total-----> 39587.00

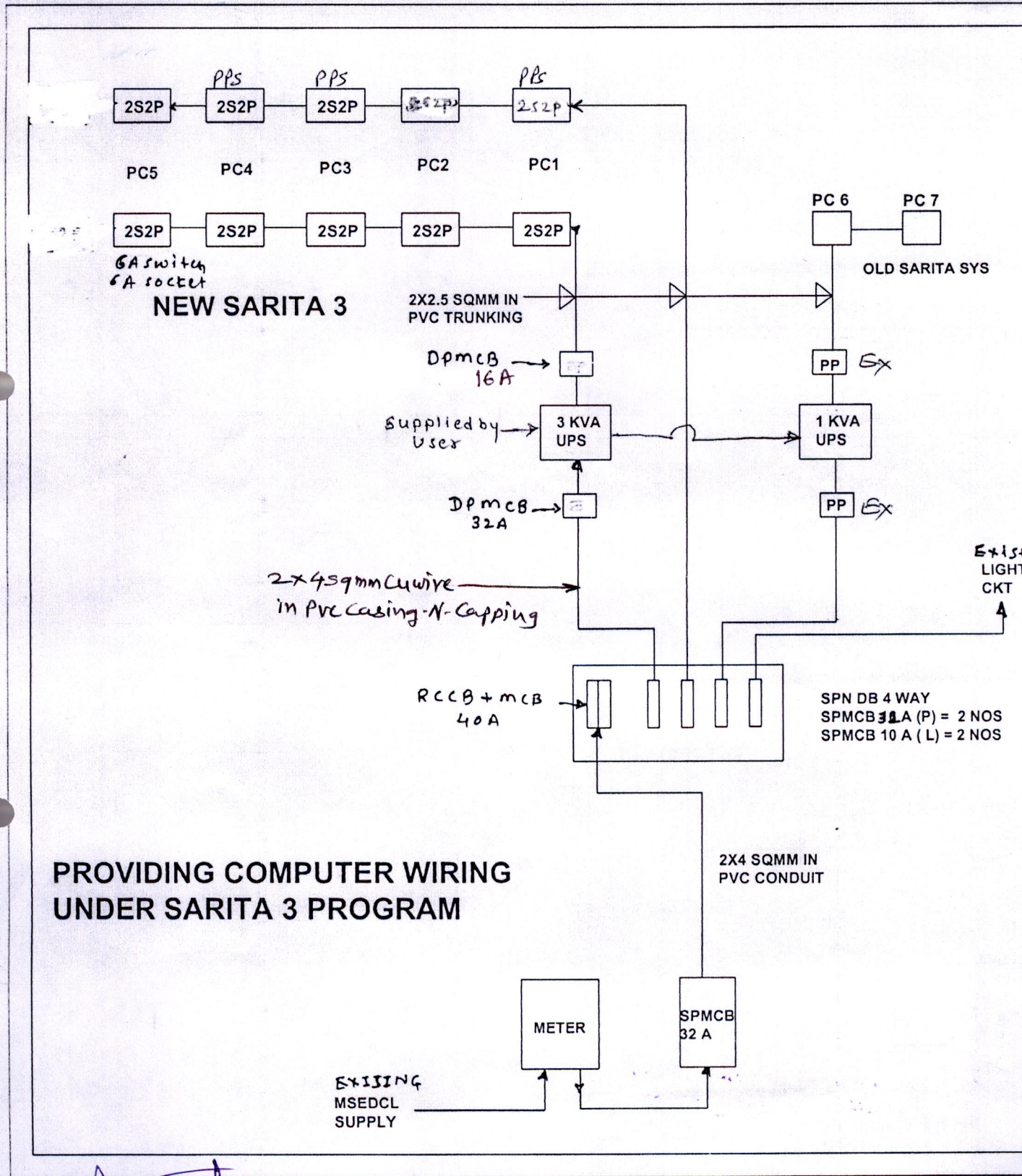
Total For Work Portion =====>		Rs.	39587.00
1. Contingency	4.00 %	Rs.	1583.48
2. Centage Charge	8.00 %	Rs.	3293.64
Grand Total =====>		Rs.	44464.12
Say =====>		Rs.	44464.00

100 % Arithmetically checked.

Sheret
Sectional Engineer

[Signature]
DEPUTY ENGINEER (ELEC) P.W.D. PUNE
NO. 1 SUB-DIVISION , PUNE

[Signature]
EXECUTIVE ENGINEER (ELECTRICAL)
P.W.D., PUNE



PROVIDING COMPUTER WIRING UNDER SARITA 3 PROGRAM

Amruth
DEPUTY ENGINEER
 ELECRTICAL SUB-DIVISION NO.1
 P. W. DEPT. PUNE-01

Sub Registrar office's in private Building (on rental basis)

ESTIMATE - FACE - SHEET

Name Of Office : EXECUTIVE ENGINEER (ELECTRICAL) P.W.D., PUNE
Estimate No : 211050 (R) of 2011-12
Major Head : 000 DEPOSIT CONTRIBUTION
Sub Major head :

Minor Head :

Detailed Head :

Estimate framed in the office of EXECUTIVE ENGINEER (ELECTRICAL) P.W.D., PUNE

For the probable expenses that will be incurred in the work :

Providing additional wiring for computer in the office of sub-register in the private building (on rental basis) under sarita-3 programme At. Pune

For the Year :2011--2012

Grand Total : 44464.00

Admin Approved Date :

Admin Approved No :

Tech. Sanction Date :

Tech. Sanction No :

Prepared By : shri. J.A. Thorat. Deputy Engineer,Electrical sub.Div.No-1,Pune-1

Checked By : Shri. S.P.Pardeshi. Executive Engineer,Pune Electrical Division,Pune

Call or Authority : USER DEPARTMENT

Ref. L.No. & Date :

General Description

This estimate is framed to meet the probable cost of providing computer point in PVC casing n capping in modular switches, MCB DB, SP MCB, copper mains in2x4, 2x2.5 & 1x2.5 earthwire, cat 6 wire, PVC conduit, earthing etc complete.

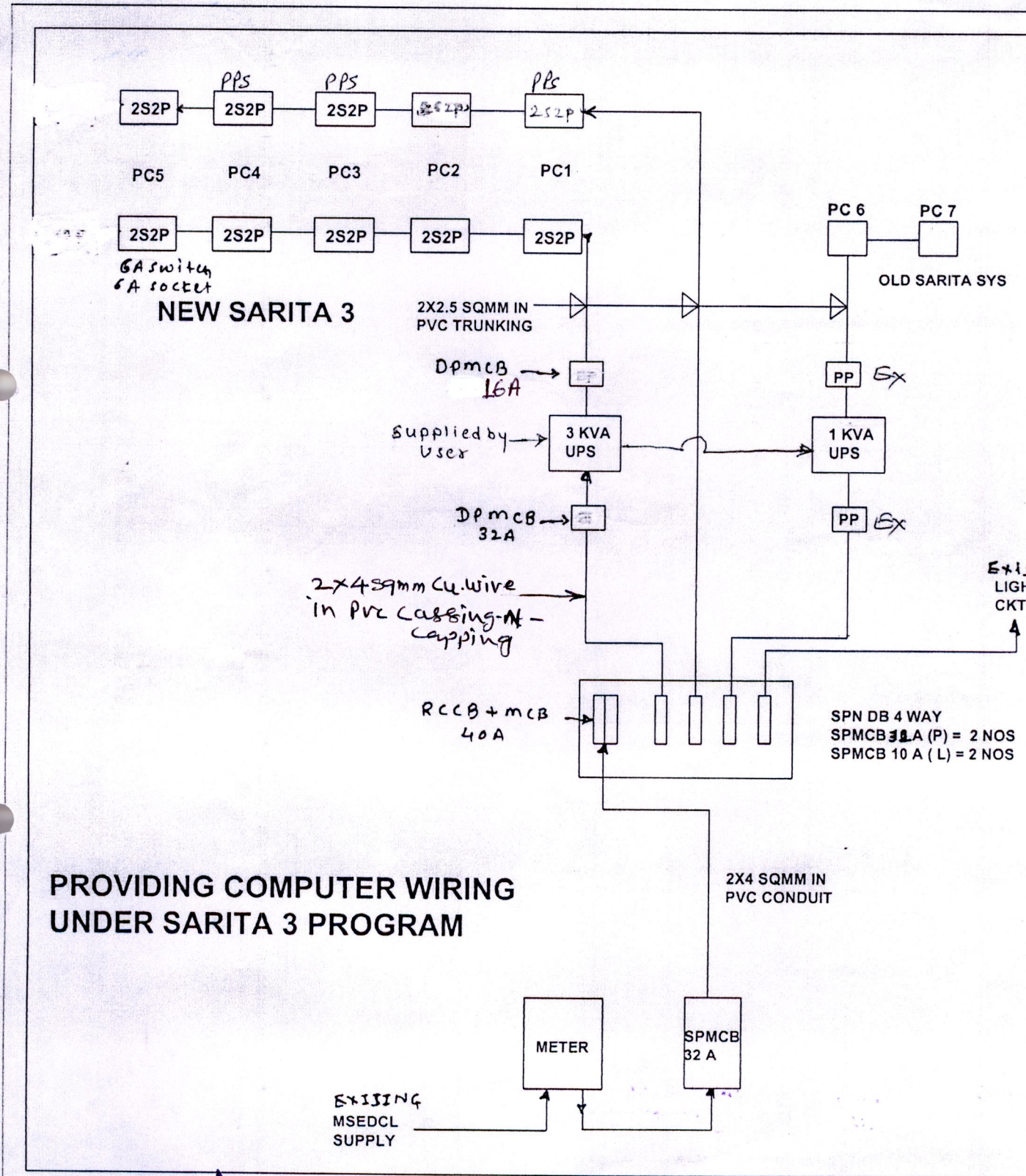
Note : The abstract should be signed at the end by the Sub-Divisional Officer & Executive Engineer and if necessary by the Superintending Engineer and the Chief Engineer. The Signature should be dated (including year)

Work Abstract

Estimate No : 211050 (R) of 2011-12

Name of Work : Providing additional wiring for computer in the office of sub-register in the private building (on rental basis) under sarita-3 programme At. Pune

Sr No	Quantity	Item Description	Rate	Unit	Amount
1	21.00	Supplying and erecting modular type switch 6A / 10A ISI mark approved make duly erected on provided plate and box with wiring connections complete.:---1-8-1	96.00	Each	2016.00
2	21.00	Supplying and erecting modular type 3 pin 6A socket ISI mark approved make duly erected on provided plate and box with wiring connections complete.:---1-8-13	113.00	Each	2373.00
3	3.00	Supplying and erecting modular type switch 16 / 20 A with indicator, ISI mark, approved make duly erected on provided plate and box with wiring connections complete.1-8-10:---1-8-6	113.00	Each	339.00
4	3.00	Supplying and erecting modular type 3 pin 6 / 16A combined unit ISI mark approved make duly erected on provided plate and box with wiring connections complete.1-8-15:---1-8-15	216.00	Each	648.00
5	12.00	Supplying and erecting PVC Surface modular switch box with double mounting plate for 6 module duly erected in an approved manner.1-8-31:---1-8-35	220.00	Each	2640.00
6	80.00	Supplying & erecting mains with 2x2.5 sq.mm F.R stranded/solid copper PVC insulated wire laid in provided conduit/trunking/inside pole/Bus bars or any other places. as per specification No: WG-MA/BW:---1-3-3	49.00	m	3920.00
7	45.00	Supplying & erecting mains with 2x4 sq.mm F.R stranded/solid copper PVC insulated wire laid in provided conduit/trunking/inside pole/Bus bars or any other places as per specification No: WG-MA/BW:---1-3-5	70.00	m	3150.00
8	110.00	Supplying & erecting mains with 1x2.5 sq.mm earthwire F.R stranded/solid copper PVC insulated wire laid in provided conduit/trunking/inside pole/Bus bars or any other places. as per specification No: WG-MA/BW:---1-3-3	24.50	m	2695.00
9	80.00	Supplying and laying PVC trunking (PVC casing-n-capping) of size 20 mm. with accessories on wall/ceiling as per specification No: WG-MA/CON, para no. 1.1.2:---1-2-10	33.00	m	2640.00
10	30.00	Supplying and laying rigid PVC conduit 20 mm dia. with PVC accessories on wall/ceiling as per specification No: WG-MA/CON, para no. 1.1.1:---1-2-7	46.00	m	1380.00
11	6.00	Supplying and laying P.V.C. corrugated flexible conduit 20 mm in dia. conforming to I.S. and approved make with required number of couplings, PVC bushes, check nuts etc. complete.:---1-2-2	18.00	m	108.00
12	2.00	Supplying, erecting & marking DPMCB 6A to 32A, C- series (for motor/power) in provided distribution board as per specification No. SW-SWR/MCB:---5-3-6	549.00	Each	1098.00
13	2.00	Supplying & erecting CRCA sheet metal one way enclosures suitable for D.P.M.C.B. /T.P. M.C.B. /F.P M.C.B. complete erected on angle iron frame.:---5-4-23	362.00	Each	724.00
14	1.00	Supplying and erecting single pole and neutral distribution board (SPNDB) with door surface/flush mounted with 2 ways for incoming and 4 ways for outgoing SP MCB's on iron frame/laminated board as per specification No. SW-SWR/MCDB:---5-4-17	1082.00	Each	1082.00
15	2.00	Supplying, erecting & marking SPMCB 6A to 32A, B- series (for lighting) in provided distribution board as per specification No. SW-SWR/MCB:---5-3-3	164.00	Each	328.00



[Signature]
DEPUTY ENGINEER
 ELECTRICAL SUB-DIVISION NO. I
 P. W. DEPT. PUNE-01

Sub Registrar office's in private Building (on rental basis)